



### What is the **ANALYSIS Compared** system of TOTAL?

**TOTAL ANAC** is a preventive maintenance tool and a fleet management system based on used oils analyses ensuring a **significant reduction of the TCO** of the customer by:

- Preventing possible breakdowns,
- Following regularly the condition of the lubricant and of the mechanical components' wear,
- Reinforcing the lifetime and the reliability of the machines,
- Optimizing the drain intervals in a safe way.

Our professional customers are active in the automotive (on-road or off-road), industrial and marine (Inland and international) sectors. TOTAL ANAC diagnostic service is sold worldwide by TOTAL affiliates to end-users.



### TOTAL ANAC is a specialist in **TRANSPORT**

How does ANAC generate the diagnosis and propose corrective actions?

The diagnosis and the corrective actions are generated by TOTAL ANAC TRANSPORT system based on:

- **40 years of experience** and enrichment of the database TOTAL ANAC, more than **7 million analysis on 1 million monitored components**,
- **Customer feedbacks** on successful corrective actions,
- **A comparison between the measured values and the wear references** thanks to algorithms excluding variable parameters such as oil top-ups or drain intervals.



#### A major player

With our production, supply chain and commercial presence in more than **150 countries**, we deliver a full range of lubricants.

#### Support and partnership

Thanks to local technical presence, we provide a high level of service to optimize your Total cost of Ownership.

#### References & OEMs

Total Lubrificants cooperates with equipment manufacturers to create high-technology products for optimal performance and production of your machinery.

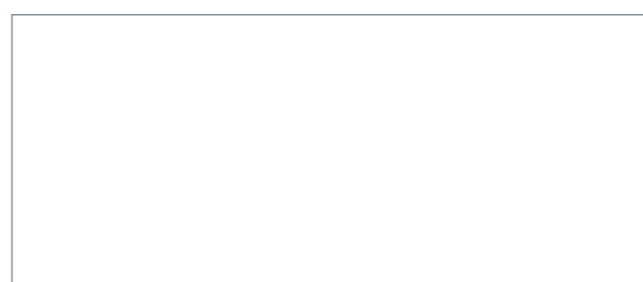
5 good reasons for choosing TOTAL

#### Innovation & Research

Total invests in biotechnologies to find the most suitable components to reach energy efficiency through formulations designed in our Research Centers.

#### Quality and environment

Total Lubrificants ISO 9001 certification is the guarantee of a long term commitment to quality. From the initial design stage, our R&D teams seek to develop products that minimize toxicity risks and environmental impact.



Safety Data Sheets are available at [quickfds.com](http://quickfds.com)  
**total.com**



## TOTAL ANAC TRANSPORT

### Let your oil do the talking

Preventive maintenance tool and fleet management system:

- ✓ Extend the lifetime of your vehicle park
- ✓ Reduce the Total Cost of Ownership (TCO)
- ✓ Optimize reliability and performance



06/2019 - TOTAL LUBRIFIANTS SA 652 006 454 RCS Nanterre - Photos: 123RF, Shutterstock. Design: GOLDEN DESIGN

Committed to Better Energy = Engagé pour une énergie meilleure - Total total de possession.





## A preventive maintenance tool for all the components of your vehicle park

One analysis to cover all of your needs ensuring an optimal technical performance.



### Reduces downtime of your fleet.

Prevention of possible mechanical breakdowns.



### Increases the lifetime of your vehicles.

Decrease of the risk of excessive wear of the mechanical component.



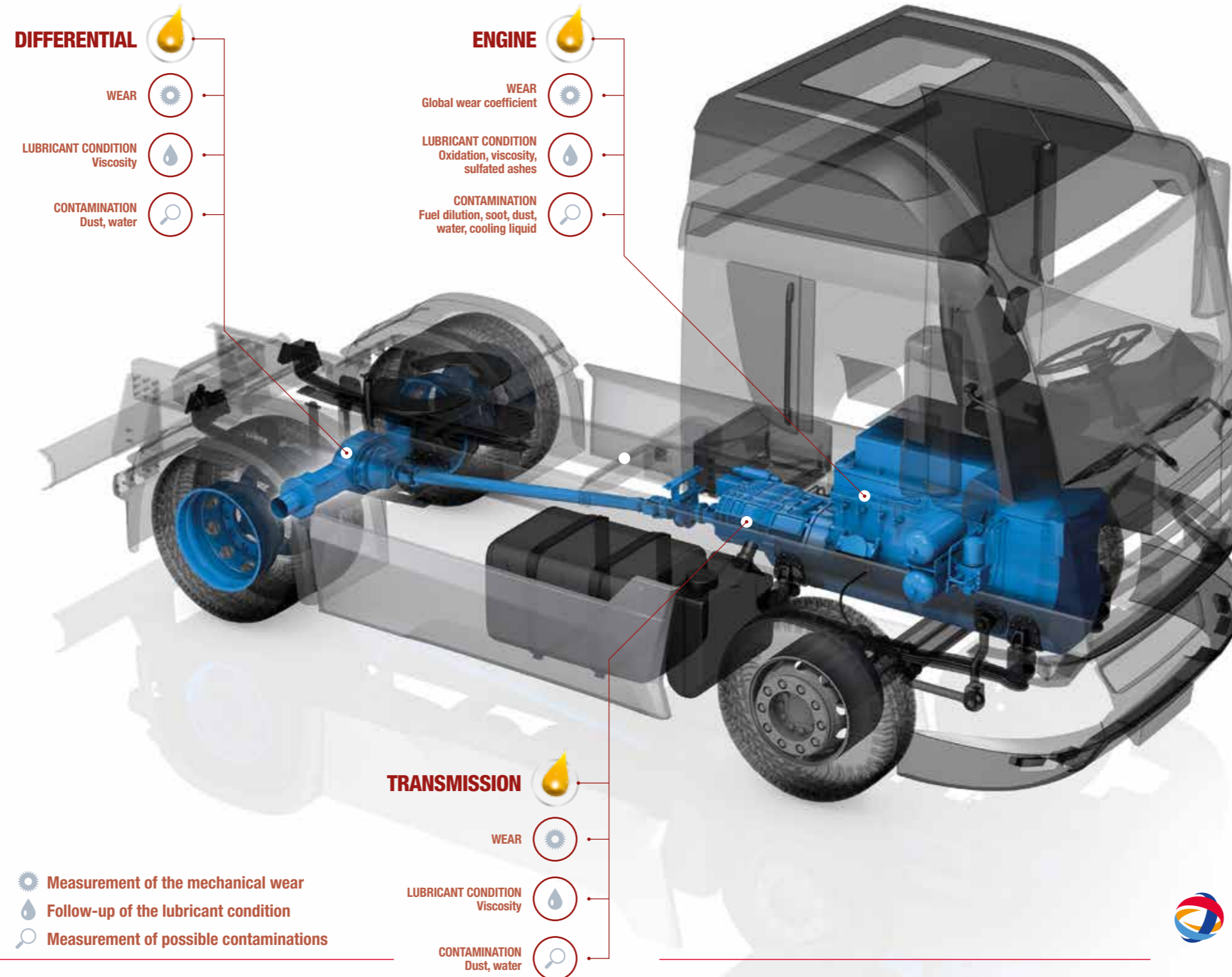
### Optimizes the maintenance.

Control of your maintenance budget.



### Reduces the Total Cost of Ownership (TCO).

Optimization of the amortization of your vehicle park.



#### DIFFERENTIAL



#### ENGINE



#### TRANSMISSION



- Measurement of the mechanical wear
- Follow-up of the lubricant condition
- Measurement of possible contaminations

- WEAR  
Global wear coefficient
- LUBRICANT CONDITION  
Oxidation, viscosity, sulfated ashes
- CONTAMINATION  
Fuel dilution, soot, dust, water, cooling liquid

## Technical aspect

### Oxidation

Oxidation is a key measurement in the follow-up of an in-service lubricant. A high oxidation of the oil can lead to an increase of the viscosity and the acidity of the oil generating corrosive compounds and deposits that may lead to technical issues.

This measurement allows you to reach safely the optimal drain interval authorized by the OEM.

### Sulfated ashes

The content of sulfated ash is an important element in the protection of after-treatment devices for Exhaust Gas Recirculation system and Diesel Particulate Filter system on engines of the latest generation with low emissions. This measurement ensures that the lubricant used is adequate with the vehicle's engine technology.

## Our customers talk about us

### Philippe P. CEO, PREMAT Transport - France

*Since we've been using TOTAL ANAC's services, our vehicle fleet is regularly monitored and we can get out ahead of any problems. As a result, our vehicles are worth more when we sell them. We're planning to introduce routine sampling before oil changes to further shorten vehicle downtime.*

### Bart M. Lead Engineer, Van Hool - Belgium

*With regular monitoring through TOTAL ANAC, we work together to optimize our vehicle fleet's lifetime and reliability.*

[anac-diagnosis.com](http://anac-diagnosis.com)

## A simple and effective tool to manage your vehicle park

A personalized and secure access to:

- **consult** new reports and previous sample results
- **visualize** the analysis results in graphical form
- **go in depth** with personalized requests
- **download** the results in excel or pdf format
- **view** under smartphones and tablets
- **manage** statistical modules
- **pre-register** data from new samples
- **better understand** through diagnostic assistance (CAPS) and Call back Button

The color codes of the measured characteristics



Available also via TOTAL ANAC QR App and its QR code system.

